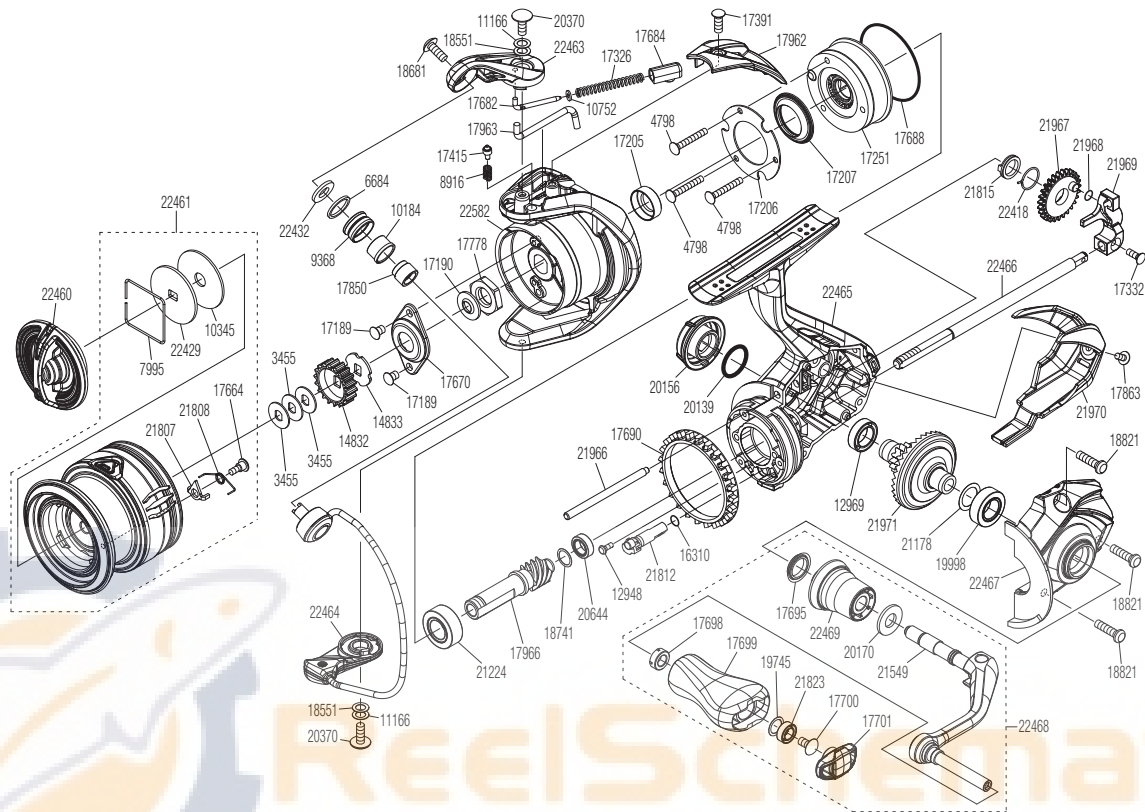


SHIMANO

MIRAVEL

MV-1000



Please note that the number of adjusting washers may not always be the same as shown in the exploded views.

(51SF631B10X)

Please note that your actions take full responsibility when you take it apart.

Part No.	Description	Part No.	Description	Part No.	Description
RD 3455	Spool Washer	RD17690	Friction Ring	RD21823	Ball Bearing
RD 4798	Screw	RD17695	Handle Shaft Seal	RD21966	Oscillating Guide
RD 6684	Spacer	RD17698	Bushing	RD21967	Oscillating Gear
RD 7995	Retainer	RD17699	Handle Knob	RD21968	O Ring
RD 8916	Click Spring	RD17700	Screw	RD21969	Oscillating Slider
RD 9368	Line Roller	RD17701	Handle Knob Seal	RD21970	Rear Protector
RD10184	Bushing	RD17778	Rotor Nut	RD21971	Drive Gear
RD10345	Drag Washer	RD17850	Collar	RD22418	Bushing Spring
RD10752	Bail Spring Guide A Collar	RD17863	Screw	RD22429	Key Washer
RD11166	Spacer	RD17962	Bail Spring Cover	RD22432	Washer
RD12948	Screw	RD17963	Bail Trip Lever	RD22460	Drag Knob Assembly
RD12969	Ball Bearing	RD17966	Pinion Gear	RD22461	Spool Assembly
RD14832	Spool Support A	RD18551	Washer	RD22463	Bail Arm
RD14833	Spool Support B	RD18681	Screw	RD22464	Bail Assembly
RD16310	O Ring	RD18741	Washer	RD22465	Body Assembly
RD17189	Screw	RD18821	Screw	RD22466	Main Shaft
RD17190	Bearing Water Proof	RD19745	Washer	RD22467	Side Cover
RD17205	Rotor Ring	RD19998	Ball Bearing	RD22468	Handle Assembly
RD17206	Roller Clutch Reinforce	RD20139	O Ring	RD22469	Handle Shaft Cover Assembly
RD17207	Roller Clutch Water Proof	RD20156	Handle Screw Cap	RD22582	Rotor
RD17251	Roller Clutch Assembly	RD20170	Washer		
RD17326	Bail Spring	RD20370	Screw		
RD17332	Screw	RD20644	Ball Bearing		
RD17391	Screw	RD21178	Washer		
RD17415	Click Pin	RD21224	Ball Bearing		
RD17664	Screw	RD21549	Handle Shank Assembly		
RD17670	Rotor Nut Lock Plate	RD21807	Drag Click		
RD17682	Bail Spring Guide A	RD21808	Drag Click Spring		
RD17684	Bail Spring Guide B	RD21812	Anti Reverse Cam		
RD17688	O Ring	RD21815	Bushing		